

UTILIGHT SGN

UTILIGHT SGN is a low power LED luminaire designed for emergency escape lighting installed inside buildings. Allows for the surface installation. Its main task is to indicate escape routes by means of internally illuminated evacuation signs in the ISO 7010 standard.

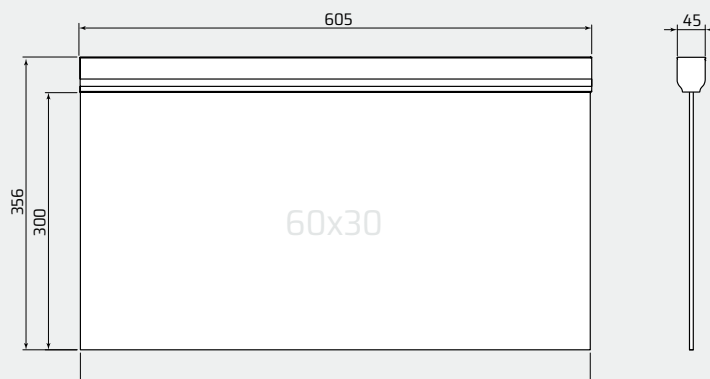
The luminaire consists of two parts. The main part with electronics, battery, LED strip and lamp shade for evacuation sign is invariable of mounting method. The mounting part is variable and is dedicated to various types of mounting. Apart from the mounting method, the form of the luminaire is always the same. It is possible to order luminaire without a lamp shade with evacuation sign. It can be mounted after the luminaire's installation. UTILIGHT is compatible with all emergency lighting systems offered by HYBRYD.



CE IP40 IP54

Safety sign visibility:

60x30cm  60m



LUMINAIRE FEATURES

- Luminaire shows the directions of escape
- LED indicators signalling the luminaire state
- Deep discharge battery protection
- Maintained/non-maintained, switched maintained operation or cinema mode
- Possibility of connecting to the monitoring system or collective power supply system
- A lot of mounting types
- Housing is made of aluminum, lamp shade of PMMA
- Installation inside the building

AVAILABLE SYSTEMS

STANDARD - (ST) tests commissioned manually

AUTOTEST - (AT) internal components, battery and light source tests being performed automatically

CENTRALTEST - (CT) internal components, battery and light source tests being performed on command from the main unit of central management system

CB - luminaire supplied from HVCBS (230V AC / 216V DC / 108V DC), without address module

CBAM - luminaire supplied from the HVCBS (230V AC / 216V DC), with built-in address module

LVAM - luminaire supplied with 24V DC from the LVDBS system, with built-in address module

TECHNICAL DATA

Supply voltage	ST/AT/CT	230VAC 50/60Hz
	CB/CBAM	230VAC 50/60Hz 170-275V DC
	LVAM	10-32V DC
Current Consumption	CB	9mA @216V DC
	CBAM	10mA @216V DC
	LVAM	75mA @24V DC
Power Consumption	ST/AT/CT	charging 4W@230VAC, stand by 2W@230VAC
	CB	2W@230VAC
	CBAM	M ¹⁾ : 2.2W@230VAC NM ²⁾ : 0.8W@230VAC
Power Factor	ST/AT/CT	0.4
	CB/CBAM	0.42
Protection class	ST/AT/CT /CB/CBAM	I
	LVAM	III
Ingress protection		IP40, IP54 ³⁾
Light source		LED strip ⁴⁾

Light colour temperature		5000-5700K
Color Rendering Index		70
Light source supply power		2W
Sign visibility		60m
Light source lifespan		> 50 000h
Battery type	ST/AT/CT	Li-Ion
Battery capacity	ST/AT/CT	2.2, 4.4Ah
Battery recharging time	ST/AT/CT	12h
Emergency operation time	ST/AT/CT	1h, 3h
	ST/AT/CT	+5 - +35°C
Ambient temperature	CB/CBAM	-25 - +55°C
	LVAM	-25 - +60°C
Supply cable cross-section area		0.5-2.5mm ²
Supply cable diameter		≤ 17mm
Communication cable diameter	CT	≤ 7mm
Through wiring		YES
Suitable for surface wiring		YES (C146 only)

¹⁾ Maintained; ²⁾ Non-maintained; ³⁾ special variant 0054;
⁴⁾ Non-exchangeable, but serviceable light source

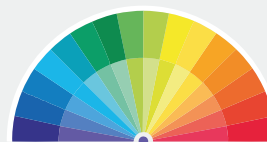
MATERIAL

Housing material - powder coated aluminum

Lamp shade material - clear PMMA

COLOURS

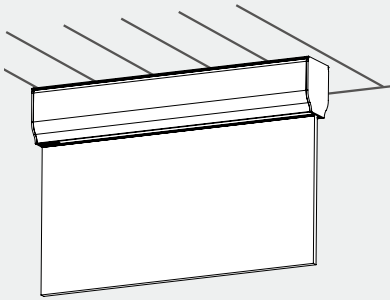
Housing colour - ○ RAL 9003, ● RAL 9006, ● RAL 7016,
● RAL 9005,



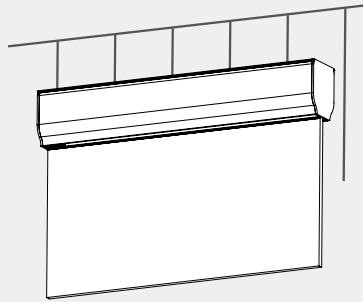
all colours from the RAL palette are available on special order

MOUNTING TYPES

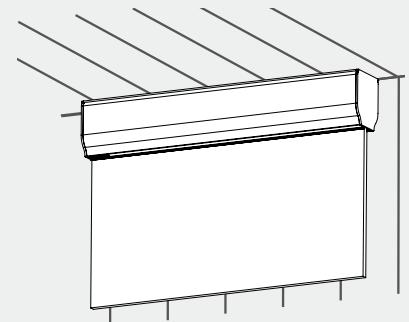
C142 - directly to the ceiling



W140 - back to the wall

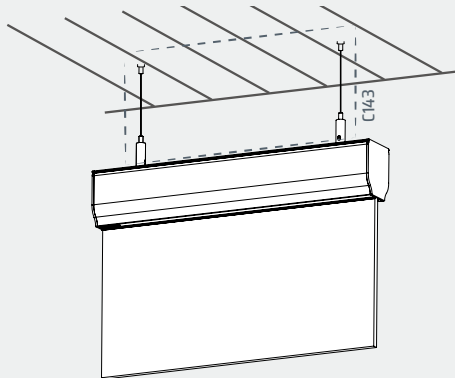


C146 - directly to the ceiling or back to the wall, with the possibility of connecting surface wiring

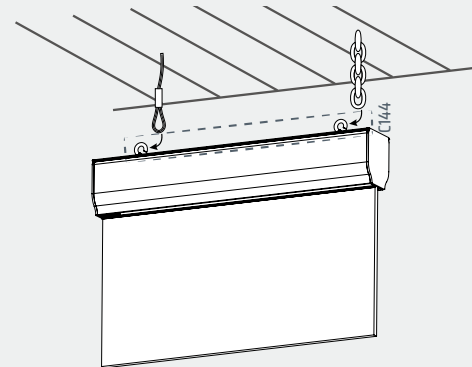


MOUNTING KITS*

C143 - suspended with cords and easy height adjustment (C142 + C143 mounting kit)

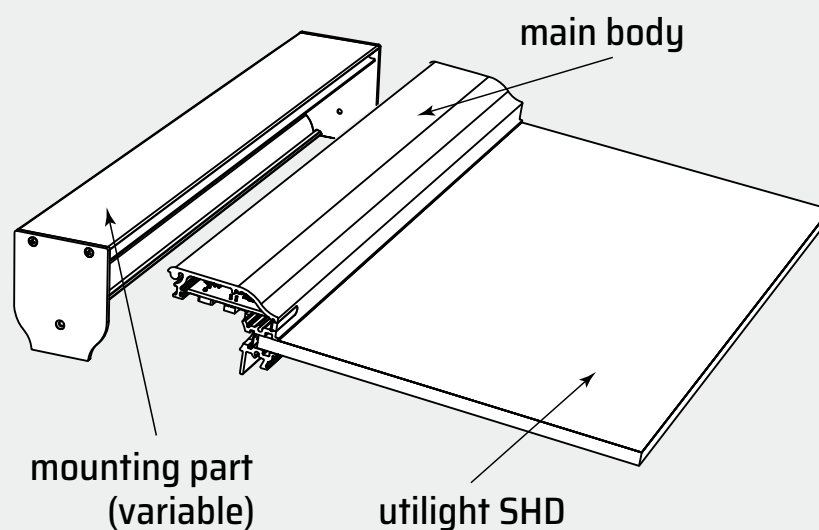


C144 - suspended with cords or chains (C142 + C144 mounting kit, cords or chains**)

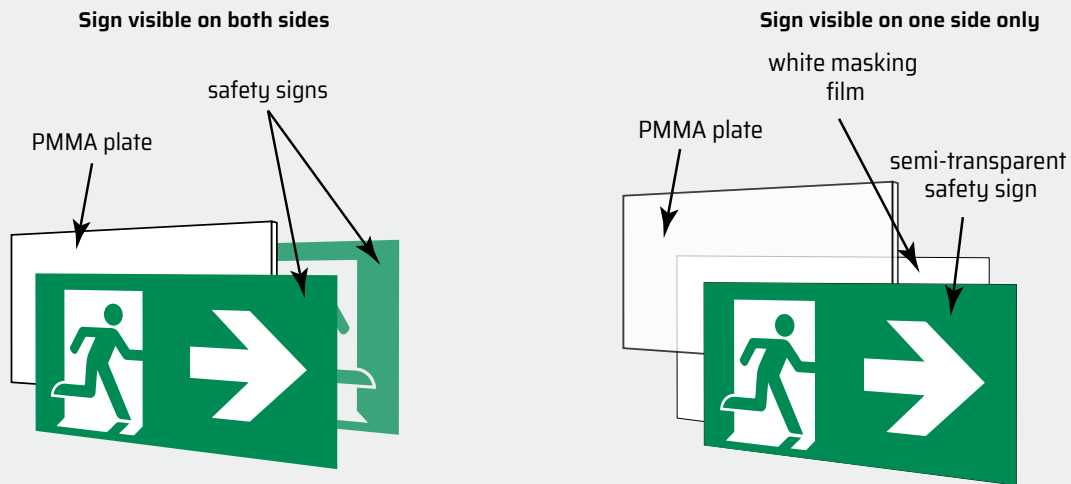


* mounting kits ordered separately from luminaire ** cords or chains defined while ordering

LUMINAIRE CONSTRUCTION

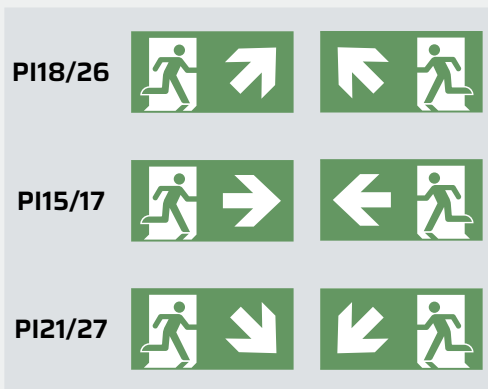


UTILIGHT SHD CONSTRUCTION

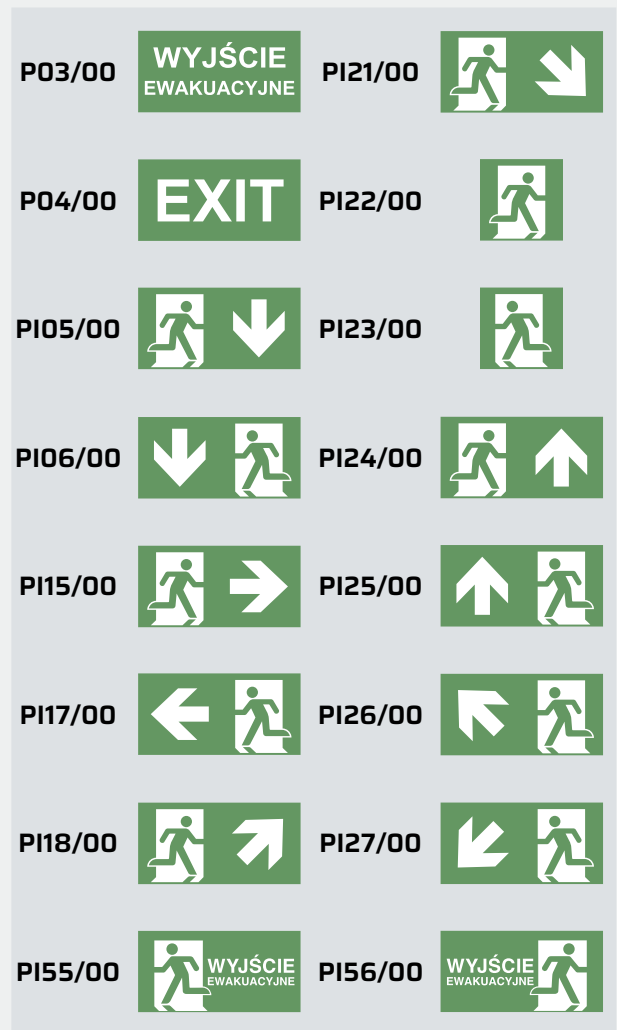


SAFETY SIGNS

Signs visible on both sides



Signs visible on one side only



ORDERING

	UTILIGHT SGN	0000	-	60x30	-	ST	-	M	-	3h	-	9003	-	FT	-	C142	-	PI21	
Variant:																			
0000 – base																			
0001 – extended warranty																			
0054 – IP54																			
0154 – IP54 with extended warranty																			
Safety sign dimension:																			
60x30 – 60x30cm																			
System variant:																			
ST – standard																			
AT – autotest																			
CT – centraltest																			
CB – centrally supplied luminaire																			
CBAM – centrally supplied luminaire, with address module																			
LVAM – centrally low voltage supplied luminaire, with address module																			
Emergency operation time:																			
1h – 1 hour																			
3h – 3 hours																			
X – not applicable (CB, CBAM, LVAM)																			
Operation mode:																			
M – maintained/non-maintained																			
SM – switched maintained																			
CI – cinema																			
X – not applicable (CB, CBAM, LVAM)																			
Housing colour:																			
9003 – <input type="radio"/> RAL 9003																			
9006 – <input type="radio"/> RAL 9006																			
7016 – <input type="radio"/> RAL 7016																			
9005 – <input type="radio"/> RAL 9005																			
... – other from RAL palette on special order																			
Surface finish:																			
FT – fine texture																			
... – other on special order																			
Mounting:																			
C142 – directly to the ceiling																			
C146 – directly to the ceiling or back to the wall																			
W140 – back to the wall																			
Safety signs:																			
... – see table „Safety signs“ ¹⁾																			
X – without PC plate (Utilight SHD ordered separately)																			

¹⁾ For the 60x30cm not all pictograms are available as standard

UTILIGHT SHD ORDERING

	UTILIGHT SHD	0000	-	60x30	-	PI21	-	HYB
Safety signs:								
... – see table „Safety signs“ ¹⁾								
X – transparent lamp shade (without sign)								